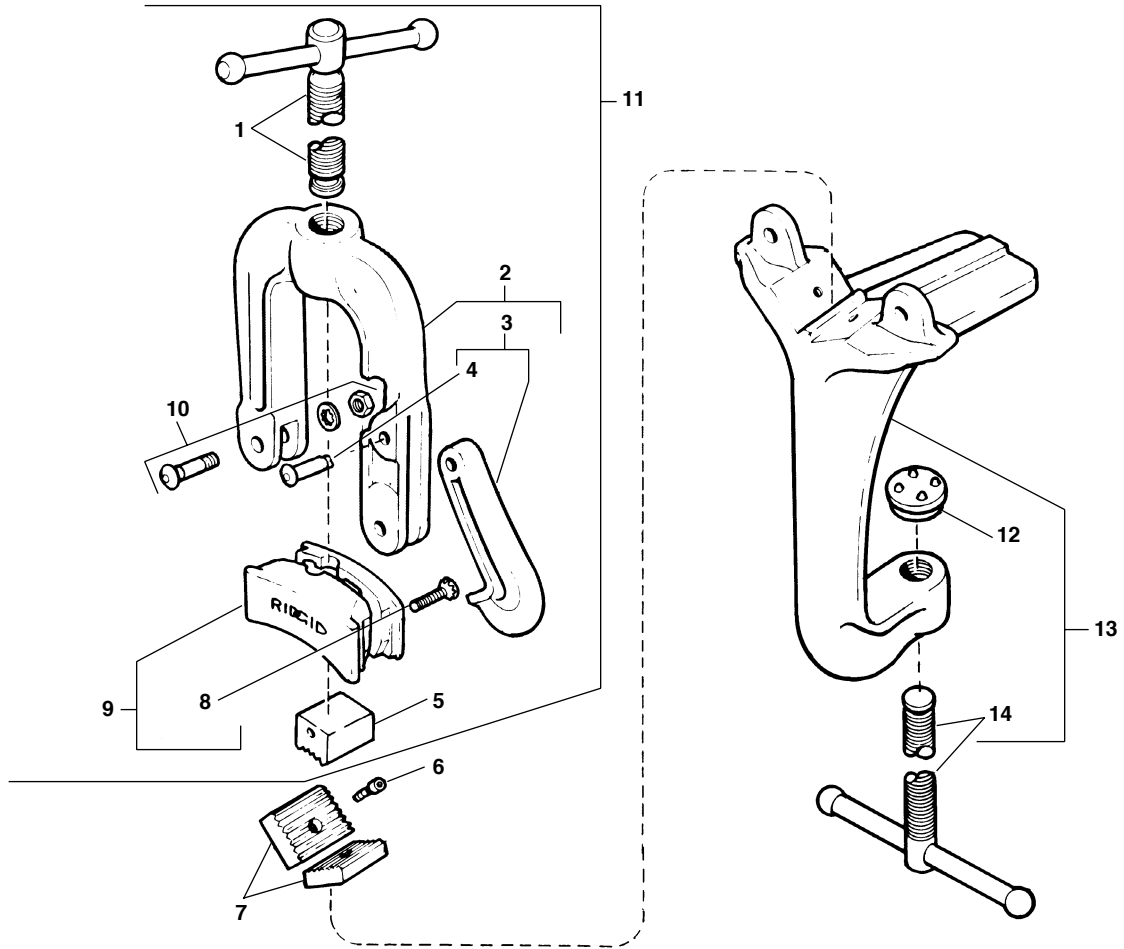


No. 38  
No. 39



**NOTE: Order parts by Catalog Number only.  
DO NOT order by Reference Number.**

Ref. No.	Description	38	39
		1/8"-2"	1/8"-2 1/2"
		Catalog No.	Catalog No.
—	Portable Kit Vise Kit	40120	40125
1	Feed Screw	40355	40390
2	Yoke and Hook Assembly	40310	40370
3	Hook Assembly	40320	40380
4	Hinge Pin	40340	40415
5	Upper Jaw	40335	40400
6	Lower Jaw Screw (2)	32205	32205
7	Lower Jaw (1 Set)	32100	40405
8	Jaw Clamp Screw and Washer (2)	40345	40385
9	Jaw Clamp Assembly	40360	40395
10	Bolt, Washer & Nut	40325	40410
11	Yoke Assembly (Complete)	40315	40375
12	Pad	40880	40880
13	Base Assembly	40885	40890
14	Clamp Screw	40355	40355