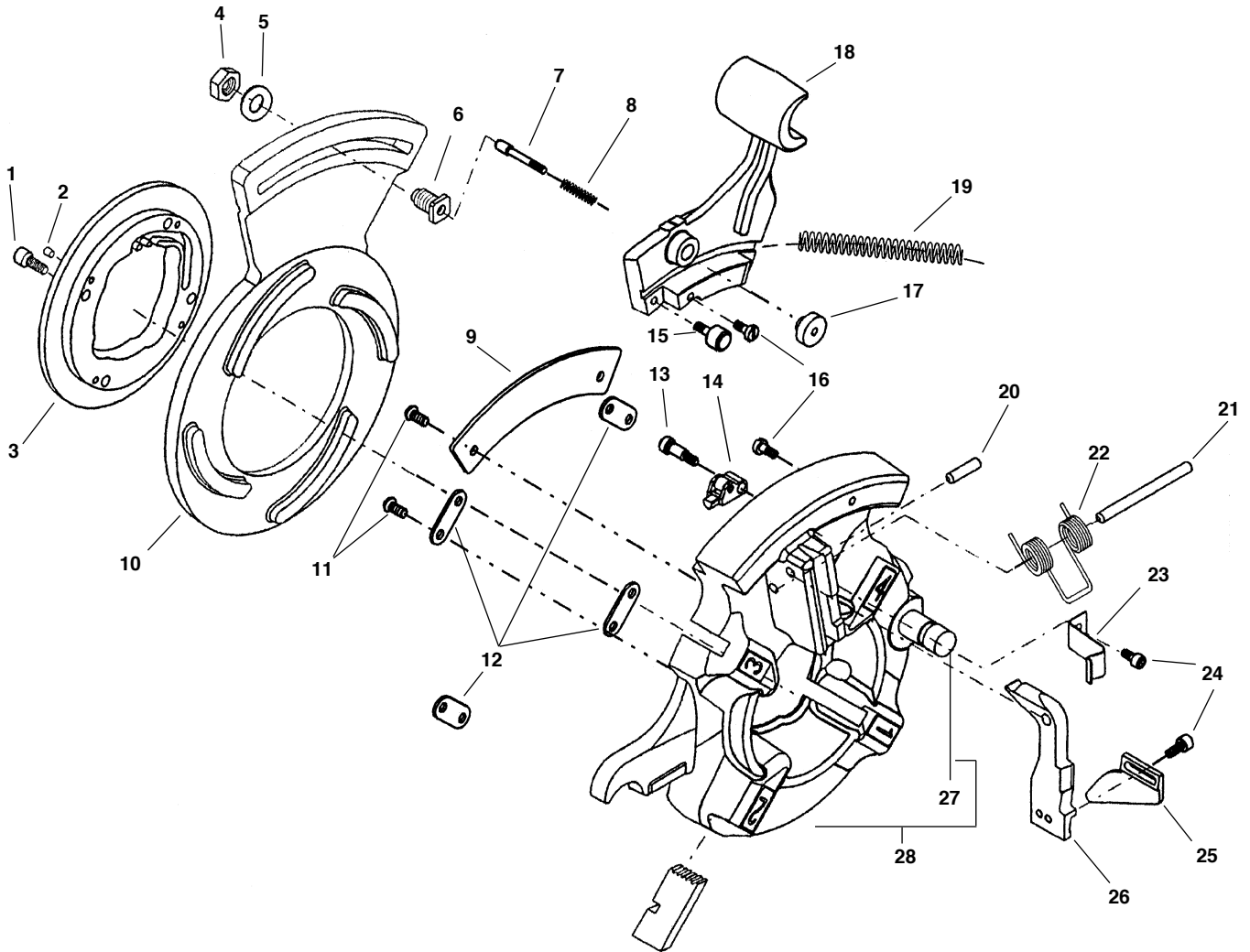


No. 728 NPT & 928 BSPT 2 1/2" - 3" Die Heads



**NOTE: Order parts by Catalog Number only.
DO NOT order by Reference Number.**

Ref. No.	Catalog No.	Description	Ref. No.	Catalog No.	Description
—	54437	728 2 1/2" - 3" NPT Die Head	13	34877	Soc. Hd. Shoulder Bolt 1/4" x 1/2"
—	50327	928 2 1/2" - 3" BSPT Die Head	14	61617	Rocker Release Assembly
—	59522	928 2 1/2" - 3" BSPT Die Head - Taiwan	15	52377	Slide Roller Bearing (2)
1	32205	Screw 1/4" - 20 x 3/8" SHCS (4)	16	52372	Spring Retainer (2)
2	60097	Detente Plunger (4)	17	61597	Adjuster Knob
3	52287	Retaining Ring	18	58667	Adjuster Slide
4	61587	Jam Nut 3/8"-16 (2)	19	61612	Release Spring
5	61592	Flat Washer 3/8"	20	87940	Roll Pin 1/4" x 7/8"
6	61607	Adjuster Bolt	21	52397	Spring Mounting Pin
	59527	Adjuster Bolt - Taiwan	22	52387	Trigger Spring
7	61602	Adjuster Plunger	23	60092	Trigger Spring
8	52342	Adjuster Spring	24	45750	Screw #10-24 x 3/8" SHCS (2)
9	75802	Rocker Cover	25	52412	Adjustable Trigger
10	56077	Cam Plate NPT - 728 Die head	26	52422	Trigger Pivot
	52307	Cam Plate BSPT - 928 Die head	27	59832	Die Head Post
11	39542	Screw #10-24 x 1/2" BHCS (10)	28	72272	Die Head w/Post
12	75797	Retaining Plate (4)			